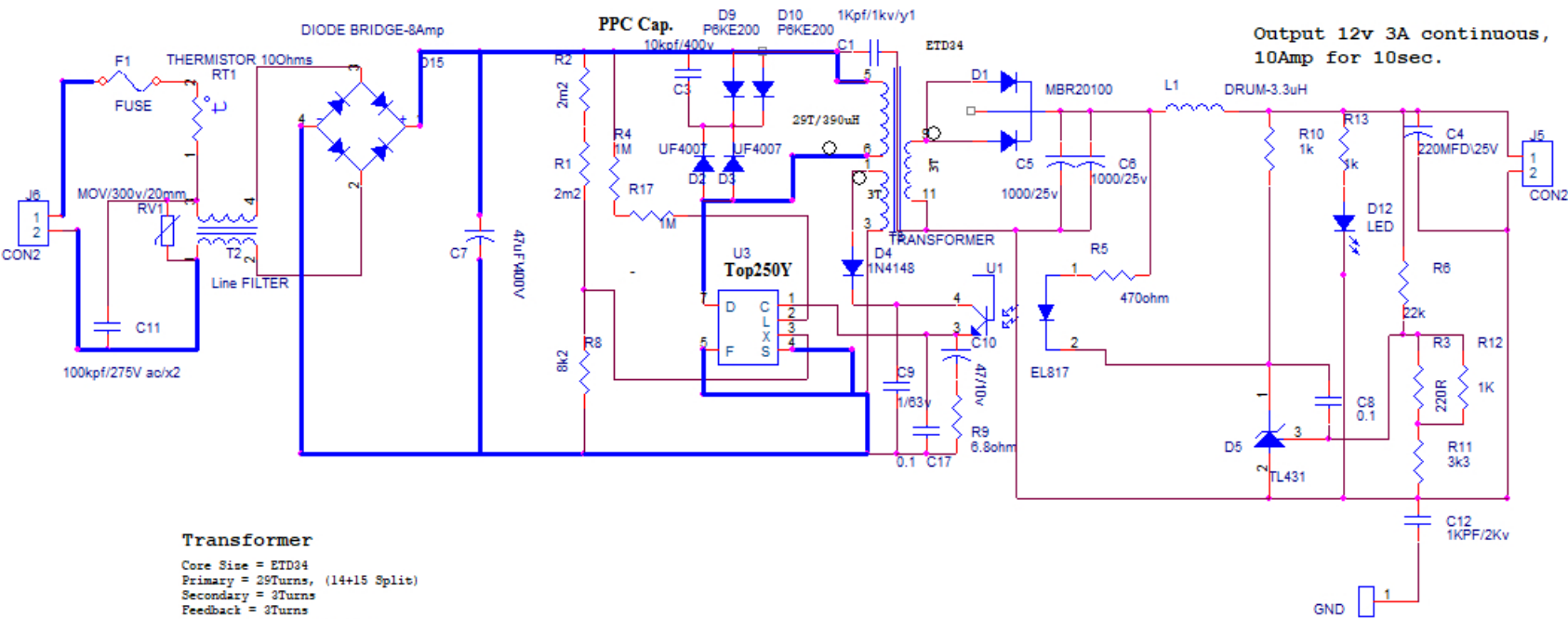


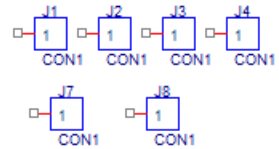
Input 150-260v ac, 50Hz



Output 12v 3A continuous,
10Amp for 10sec.

Transformer

Core Size = ETD34
 Primary = 29Turns, (14+15 Split)
 Secondary = 3Turns
 Feedback = 3Turns
 Primary Inductance = 390uH



Title		
LSE-V2 SMPS		
Size	Document Number	Rev
A4	SMPS-ECO-4	5
Date:	Saturday, March 05, 2022	Sheet 1 of 1