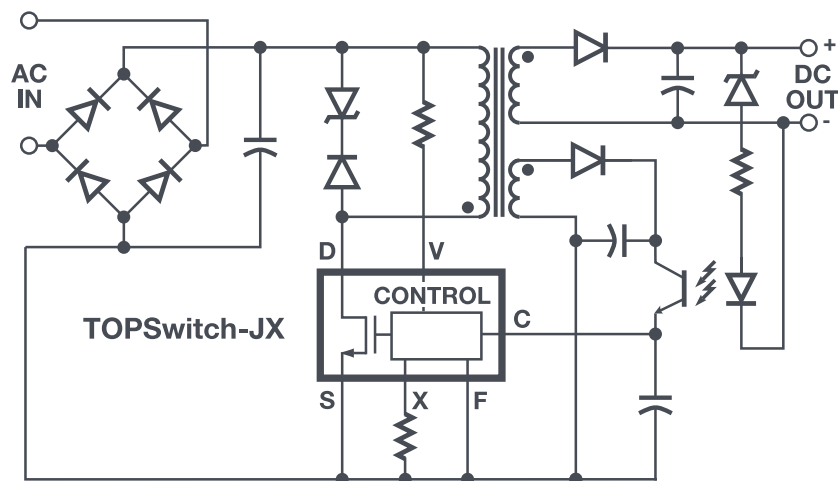


# TOPSwitch-JX

- Excellent efficiency across load range, low no-load consumption
- Up to 212 W output power
- Line UV/OV protection
- Thermally enhanced packages
- Extensive protection features
- Integrated fast AC reset



## Integrated Off-Line Switcher for Highly Efficient Power Supplies



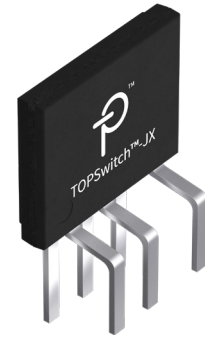
PI-5578-090309

## Applications

- Home appliance auxiliary power supplies
- eBike chargers
- Power tool chargers
- High-power adapters and open frame power supplies

## Output Power

Part Number	230 VAC $\pm 15\%$		85-265 VAC	
	Adapter	Open Frame	Adapter	Open Frame
TOP264EG	30	62	20	43
TOP265EG	40	81	26	57
TOP266EG	60	119	40	86
TOP267EG	85	137	55	103
TOP268EG	105	148	70	112
TOP269EG	128	162	80	120
TOP270EG	147	190	93	140
TOP271EG	177	244	118	177



Package options:  
E: eSIP-7C, V: eDIP-12, K: eSOP-12

## Design Support

- Data Sheet**                      TOPSwitch-JX data sheet ([www.power.com/topswitch-jx-data-sheet](http://www.power.com/topswitch-jx-data-sheet))
- Application Note**              TOPSwitch-JX design guide (AN-47) ([www.power.com/an-47](http://www.power.com/an-47))
- Design Example**                106 W high line input non-PFC CV/CC flyback charger supply (DER-583) ([www.power.com/der-583](http://www.power.com/der-583))