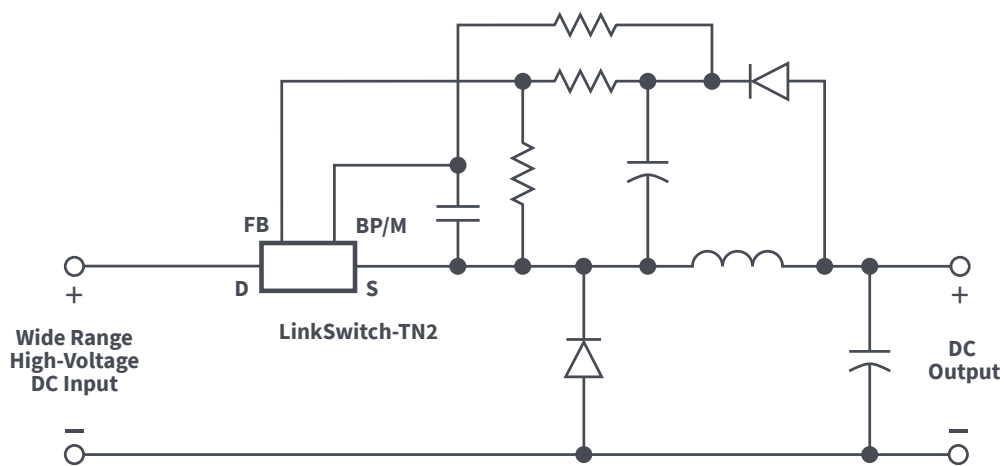


LinkSwitch™-TN2 Automotive

- 17 W (flyback) / 12 W (buck) integrated controller and 750 V MOSFET
- Wide input range – 30 VDC to 550 VDC
- Up to 850 mA output current
- Lowest component count
- AEC-Q100 qualified

Off-line Switcher IC with Integrated System-Level Protection



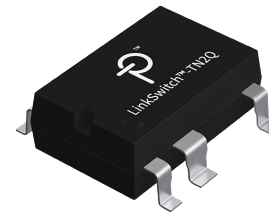
PI-7841-041816

Applications

- HVAC / climate control systems
- Battery management systems
- Traction inverters
- DC-DC bus converters
- On-board chargers

Output Power

Part Number	30 VDC	400 VDC
LNK3206GQ	270 mA	360 mA
LNK3209GQ	650 mA	850 mA



SMD-8C (G package)

Design Support

Data Sheet	LinkSwitch-TN2 data sheet (www.power.com/linkswitch-tn2q-data-sheet)
Design Example	4.5 W non-isolated buck power supply, 15 V / 300 mA output, 60 to 550 VDC input (DER-844Q) (www.power.com/der-844q)
Design Example	2.7 W StackFET buck power supply using automotive-qualified LinkSwitch-TN2Q (DER-719Q) (www.power.com/der-719q)
Design Example	9.7 W non-isolated buck power supply, 15 V / 650 mA output, 30 to 550 VDC input (DER-707Q) (www.power.com/der-707q)
Webinar	High-voltage power supply and gate driver solutions for electric vehicles (www.power.com/ev-webinar)