

Soft Transition between Constant Current and Constant Voltage

■ Description

- ▶ Provides a regulated output power with a regulated transition from constant voltage to constant current that does not exceed the maximum power capability of the power supply
- ▶ Includes an external feedback circuit with a voltage regulation circuit, a transition region circuit and a current regulation circuit

■ Benefits

- ▶ Reduces component size
- ▶ Reduces the peak current of the primary in the transformer
- ▶ **Could be used in:** Battery charger applications

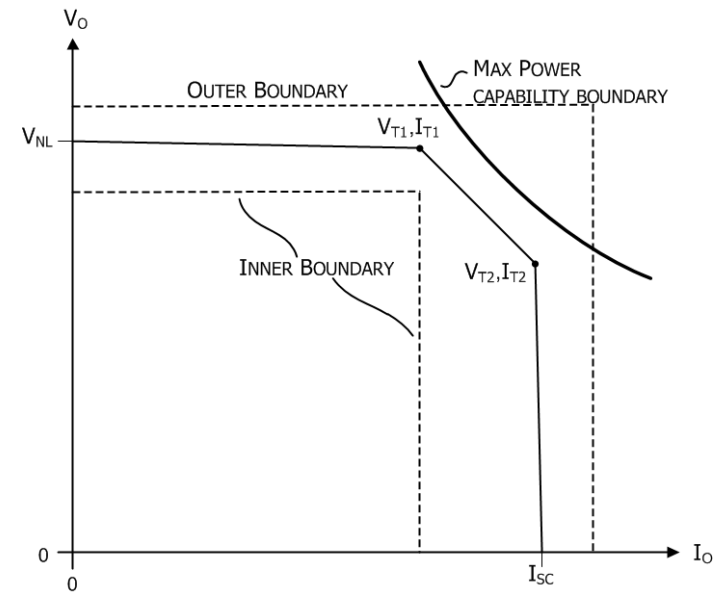


Figure 1. Voltage and current graph illustrating the boundaries of output voltage and output current for a power supply

Soft Transition between Constant Current and Constant Voltage

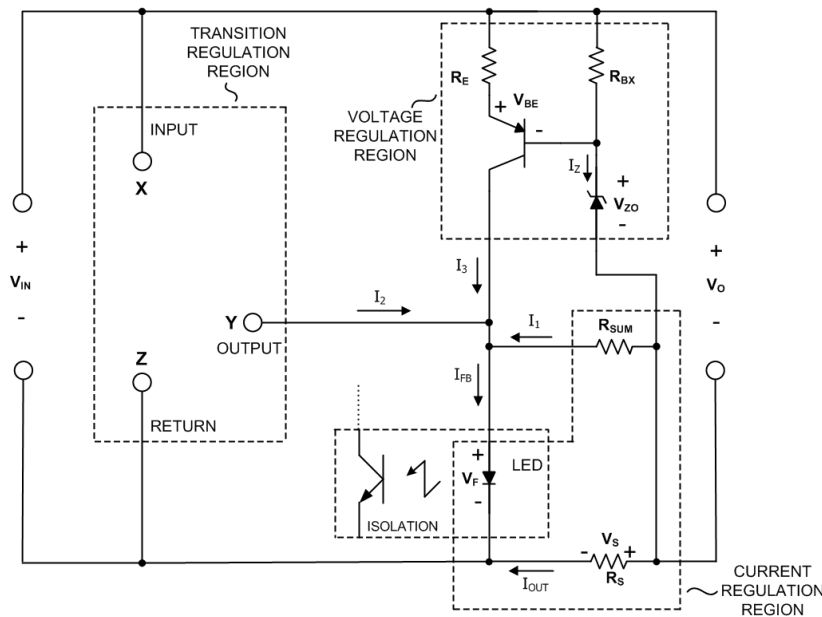


Figure 2. Diagram of the current regulation circuit and voltage regulation circuit

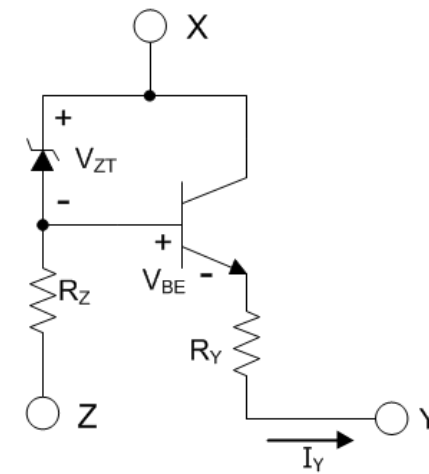


Figure 3. One example of a transition region regulation circuit