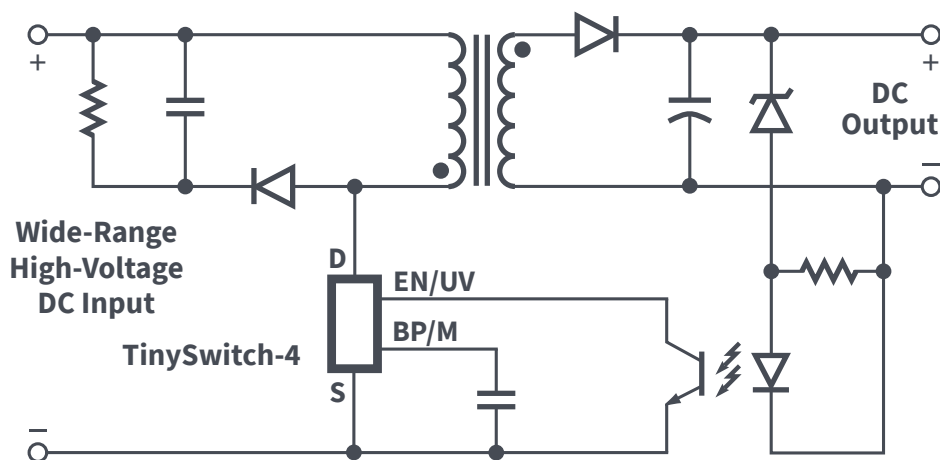


TinySwitch-4

- 725 V MOSFET
- Less than 30 mW no-load, extremely good light-load performance
- Selectable current limit
- Frequency jittering reduces EMI
- Simple ON/OFF control

Energy-Efficient, Off-Line Switcher with Line-Compensated Overload Protection



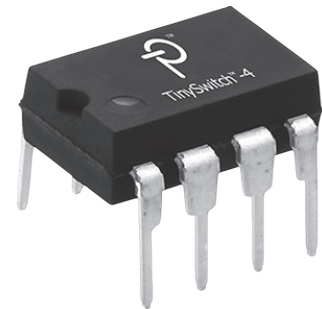
PI-6578-020915

Applications

- PC standby and other auxiliary supplies
- IoT
- Appliances, industrial systems, and metering

Output Power

Product	230 VAC \pm 15%		85-265 VAC	
	Adapter (W)	Peak or Open Frame (W)	Adapter (W)	Peak or Open Frame (W)
TNY284P/D/K	6	11	5	8.5
TNY285P/D	8.5	15	6	11.5
TNY285K	11	15	7.5	11.5
TNY286P/D	10	19	7	15
TNY286K	13.5	19	9.5	15
TNY287P	13	23.5	8	18
TNY287D	11.5	23.5	7	18
TNY287K	18	23.5	11	18
TNY288P	16	28	10	21.5



Packages:
P: DIP-8C, D: SO-8C, K: eSOP-12B

Design Support

Data Sheet TinySwitch-4 data sheet (www.power.com/tinyswitch-4-data-sheet)

Design Example 12 W power supply using TinySwitch-4 TNY288PG (RDR-839) (www.power.com/rdr-839)